

CLOSETbay.com®

Serōto®

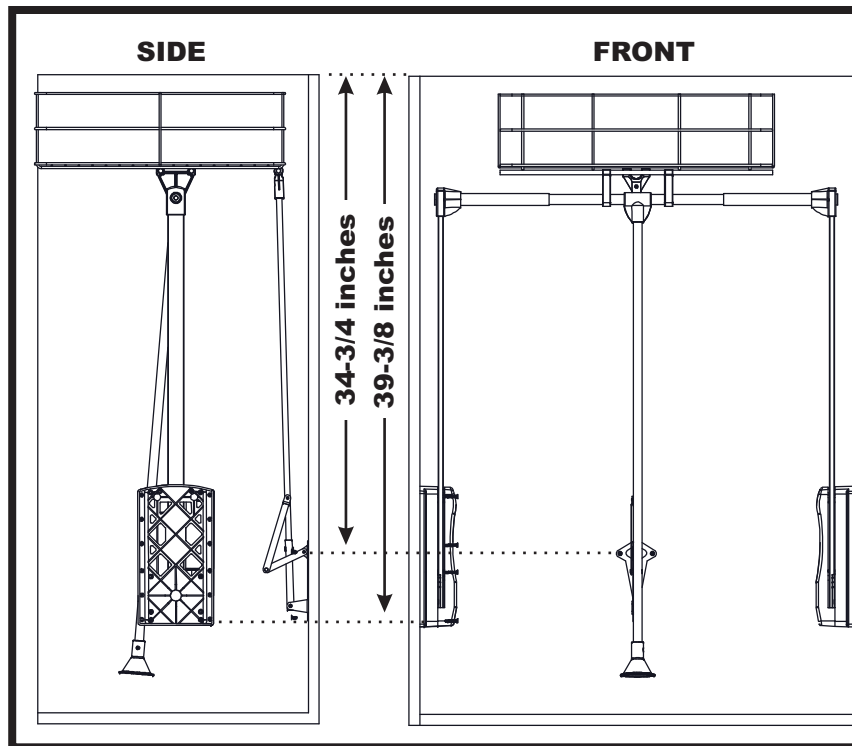
LIFT760 BASKET CLOSET LIFT

STEP 1 Measure and mark mounting points for side mounting units and basket stabilizer arm.

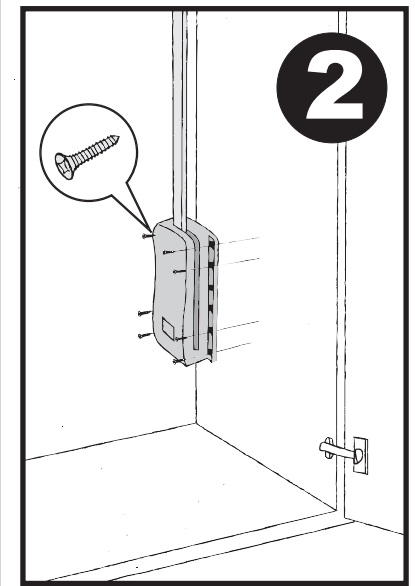
1

The bottom-most mounting hole on the side units should be 39-3/8 inches from the ceiling.

The two top screw holes of the basket stabilizer arm should be 34-3/4 inches from the ceiling.

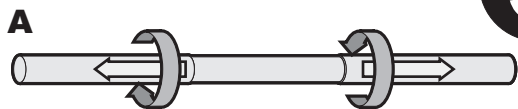


STEP 2 Mount the side units with at least 8 screws into solid material, preferably wood or laminate

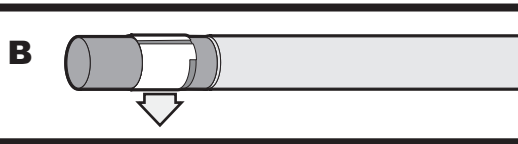


STEP 3 Install basket mounting brackets onto horizontal bar.

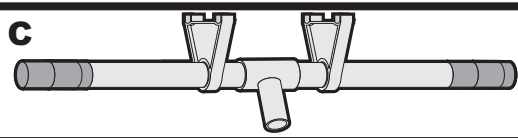
3



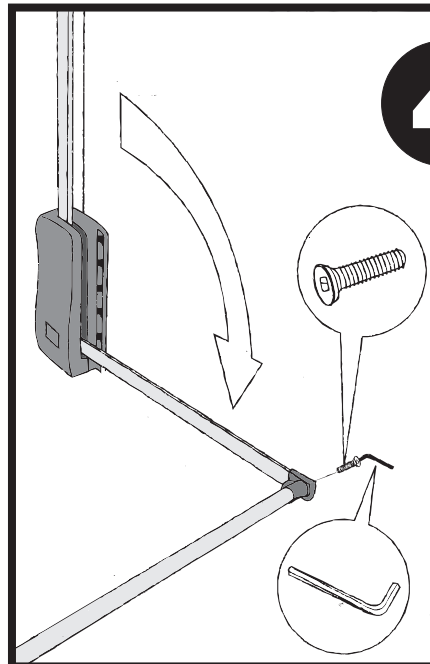
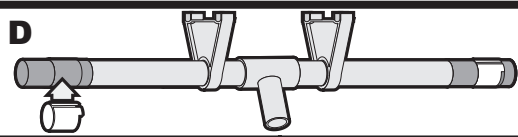
STEP 3-B Temporarily remove white clips



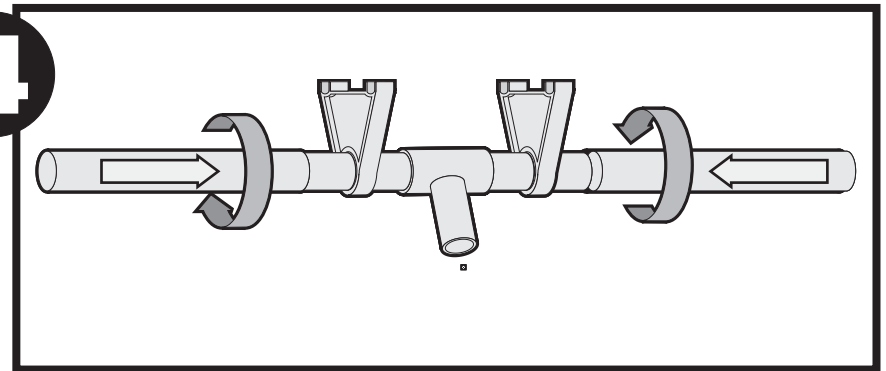
STEP 3-C Slide basket mounting brackets and handle



STEP 3-D Replace white clips.

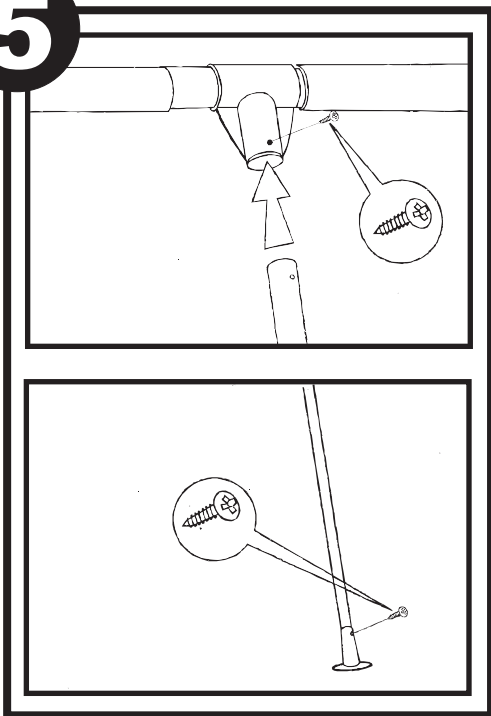
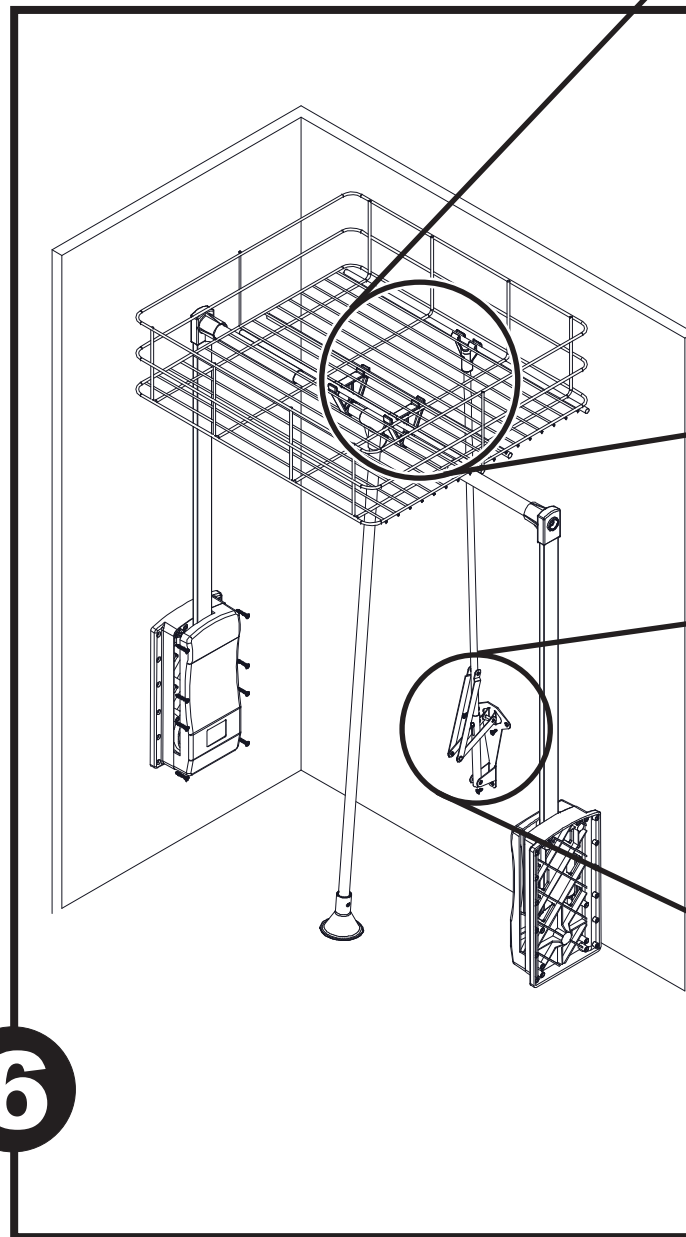


4



STEP 4 Replace ends on horizontal bar and fasten horizontal rod to lift arms. The width of the rod should be adjusted and tightened to fit between the two lift arms.

CONTINUE ➔

5**STEP 5** Attach handle.**STEP 6-A** Clip basket onto basket mounting supports.**STEP 6-B** Clip basket stabilizer arm onto back bar of basket.**STEP 6-C** Attach bottom of basket stabilizer arm to rear wall with screws. Preferably, screws should be mounted into a solid wood or laminate material.**STEP 6** Final installation steps.**6****A****B****C**